

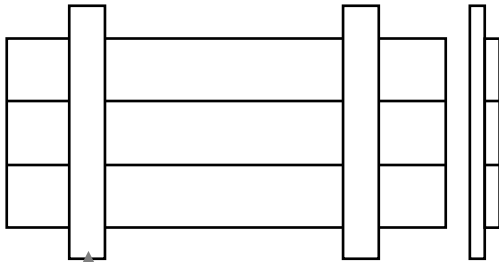
#1069

Small Crate Kit

2 x 2 x 3"

Parts

Side Panels (2)

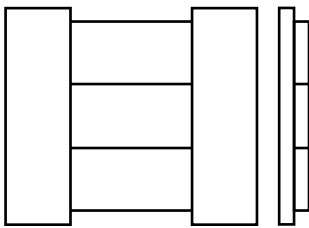


(Fig 1) Flush these ends, try not to remove any burr's from sides.

Base Panels (2)

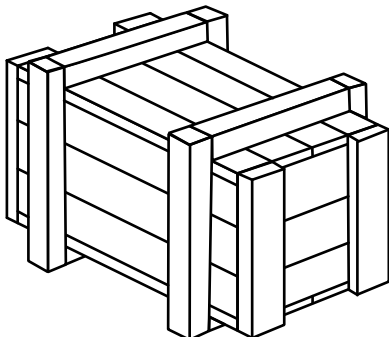


End-Cap Panels (2)



Required for, but not included:

- Wood-Glue
- Rubber band (optional)

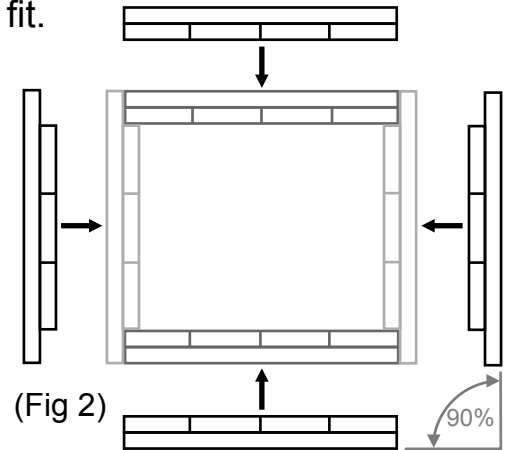


Assembly

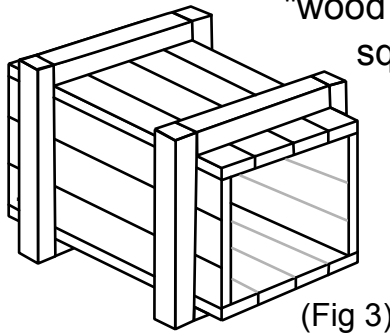
1. Clean up any wood burr's from the side and base panel.

2. Flush ends of strap boards as noted (Fig 1)

3. Dry assemble side and base panels of the crate to check fit. A rubber band around the girth works well (Fig 2).



4. Trim wood as needed, when your satisfied with fit, glue together the side and base panels with "wood glue". Be sure the crate is square and flush on the ends, and the end-cap panels fit in neatly (Fig 3)



5. After glue has set on the base and side panels. Flush the end-cap panels and glue them into place (Fig 4).

